

Vigilance 5 Megapixel H.265 Outdoor Turret Camera (Black)

High-definition professional surveillance and security solution, suitable for small, medium, and large enterprises.

DCS-F4805E-BLK

- 1/2.7" 5 Megapixel progressive CMOS sensor
- Resolution of up to 2880 × 1620 at 30 fps
- H.265, H.264 and MJPEG codec support
- True WDR (Wide Dynamic Range)
- Image Enhancement with WB, HLC, BLC, DNR, Defog, 2D/3D noise reduction
- AI with motion, human and vehicle detection
- Intrusion, Tripwire, Loitering, Wrong-way, Illegal Parking Detection.
- Smart spotlight on human detection
- Built-in IR LED illuminator with a 20 m range
- IP66 water-resistant and dust-tight housing with an operating temperature range of -40 to 60 °C
- Built-in microphone
- MicroSD card slot for local recording
- ONVIF Profile S compliant
- Built-in PoE support



Smart Illumination

Night surveillance with Dual Lights: Infra-Red and Spotlight on human detection



20 Metre Night Vision

See up to 20 metres in the dark with built-in Smart LEDs



Weatherproof

IP66 Water-resistant and dust-tight housing with an operating temperature range of -40 to 60 °C



H.265 Support

HEVC (High-Efficiency Video Coding) for better visual quality and recording performance



True WDR (Wide Dynamic Range)

Easily identify subjects in any lighting



AI Intelligence

Accurate human and vehicle detection. Intrusion, tripwire, loitering, wrong-way, illegal parking detection. People counting.



ONVIF Compliant

Integrate this Camera with many ONVIF-capable third party software or NVR solutions

Camera

Camera Hardware Profile

1/2.7" 5-Megapixel Progressive CMOS Sensor
 Max. Resolution: 5MP (2880x1620) @ 30 fps
 Electronic Shutter 1/5 - 1/20,000s (Auto/Manual)
 30 Metre Spotlight Illumination Distance
 20 Metre IR Illumination Distance
 Minimum illumination:
 Colour: 0.01 lux @(F1.6, AGC ON)
 B/W: 0 lux @(IR LED ON)
 Smart IR
 Built-in Infrared-Cut Removable (ICR) Filter Module
 Focal Length: 2.8 mm
 Aperture: F2.0
 Angle of view:
 (H) 105°
 (V) 56°
 3-Axis Adjustment Angle (Non-Motorised):
 Pan: 0° - 355°
 Tilt: 0° - 80°
 Rotate: 0° - 360°

Camera Housing IP66 Weatherproof Housing

Video

Max. Resolution: 5MP (2880x1620) @ 30 fps
 Video compression: H.265/H.264/MJPEG
 Configurable image size/quality/frame rate/bit rate
 Time stamp and text overlays
 Configurable shutter speed/brightness/saturation/
 contrast/sharpness/3D filter
 Configurable Motion Detection Area
 Configurable Privacy Mask Zones
 Auto White Balance (AWB)
 Auto Gain Control (AGC)
 Highlight compensation (HLC)
 Backlight compensation (BLC)
 Defog
 True Wide Dynamic Range (WDR)
 S/N Ratio: 55 dB
 Aisle Mode

Interfaces

Network Interface:
 1 Ethernet (10/100 Base-T) RJ-45 Connector
 Built-in Microphone
 Built-in SD Card Slot: up to 256GB
 Reset Button

Network

Network Protocols

IPv4/IPv6
 802.1x
 HTTP
 HTTPS
 TCP/IP
 UDP/IP
 RTSP
 DHCP
 NTP
 RTCP/RTP
 PPPoE
 SMTP
 DNS
 UPnP
 FTP
 ARP
 SNMP
 TLS/SSL

Interoperability ONVIF, SDK, CGI



System Management

Event Management	Motion Detection Multiple Event Notifications Event Notification and uploading of snapshots via email or FTP Video Recording to microSD card ¹ , Network Video Recorder or ONVIF-Compliant NAS
Smart Functions	Supports human and vehicle detection. Spotlight Illumination on human detection. Intrusion Detection: Perimeter, Single virtual fence, Double virtual fences, Loiter. Smart motion detection. Wrong-way and Illegal Parking detection. Alarm triggering by specified target types (human and vehicle).
Remote Management	Remote Management via NVR or DCMS+ Software Remotely take snapshots/video clips Configuration interface accessible via a web browser
Remote Monitoring	Remote monitoring via NVR, DCMS+ Software, Web browser, D-Link CCTV app (Android and iOS), third party ONVIF and RTSP compatible devices and software
Supported Web Browsers	Chrome, Firefox, Edge, Safari (MJPEG only)
DCMS+ Software Requirements	Free download. Compatible with Windows 10 (64 bit), Windows 11, Windows Server 2012, Windows Server 2016 / 2019 / 2022

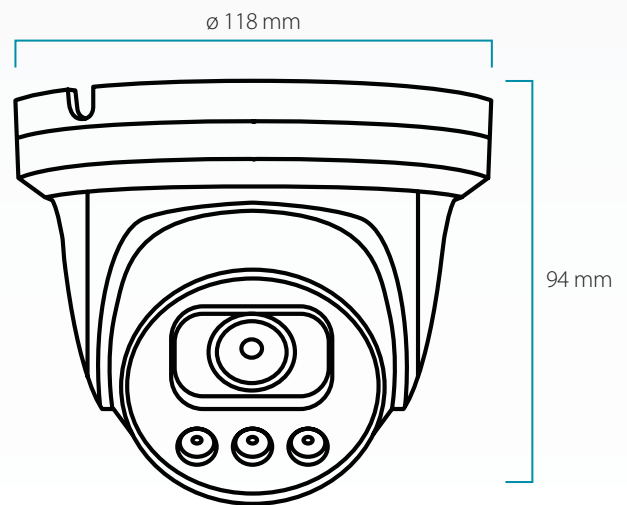
General

Weight	0.55 kg
Power Options	PoE (IEEE 802.3af/802.3at) 12 V DC 1.5 A (adapter not included)
Max Power Consumption	4.4 W
Operating Temperature	-40 to 60 °C
Storage Temperature	-20 to 70 °C
Operating/Storage Humidity	Max. 90% non-condensing
Dimensions	ø 118 × 94 mm
Certifications	CE, FCC, RCM

Order Information

DCS-F4805E-BLK	Vigilance 5MP Day & Night Outdoor Turret PoE Network Camera (Black)
----------------	---------------------------------------------------------------------

¹ microSD card not included. Supports capacity up to 256 GB.



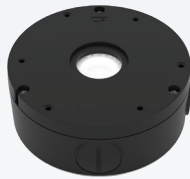
Power Supply

Model Name	12 V DC 1.5 A Power supply
Model Number	DLP101-12V1.5A



Mounts

Model Name	Junction Box	Pendant Cap
Model Number	DCS-F480JB-BLK	DCS-F480PC



Model Name	Wall Mount	Pole Mount
Model Number	DCS-F400WM	DCS-F400PM



Junction Box Configuration



Wall Mount Configuration



Pole Mount Configuration

