



DNR8P-5MP-4TB

Vigilance Surveillance Kit with 8CH NVR and 5 x 5MP Turret Cameras (4TB HDD included)

This Surveillance Kit includes a 8-Channel H.265 Network Video Recorder (NVR) with 8 PoE Ports, and 5 x 5MP Day & Night Outdoor Turret PoE Network Cameras. The NVR has a 4TB HDD pre-installed for local video recording. Simply connect the Cameras to the NVR to start monitoring and recording your premises right away. NDA A Compliant NVR and Cameras for your peace of mind.



8-Channel H.265 Network Video Recorder with 8 PoE Ports

DNR-F4108-08P

- Includes a Bonus 4TB HDD Pre-installed
- Live view and recording from up to 8 Cameras
- 8 built-in PoE Ports for easy Camera installation
- Up to 12MP resolution recording
- High performance 56Mbps video processing
- Plug-and-Play installation
- Continuous, scheduled, or event-based recording with automatic overwrite function
- Powerful AI with human and vehicle detection, people count and face recognition¹
- Smart Motion Detection with App and E-mail alerts
- Standalone operation with video out for TV/Monitor (no computer required)
- Supports highly efficient H.265 video format
- SATA 3.5" HDD interface (supports up to 12TB)
- Smart search & playback
- Free Multi-NVR software and App



Vigilance 5MP Day & Night Outdoor Turret PoE Network Cameras

DCS-F4805E

- 1/2.7" 5 Megapixel progressive CMOS sensor
- Resolution of up to 2880 x 1620 at 30 fps
- H.265, H.264 and MJPEG codec support
- True Wide Dynamic Range (WDR)
- Image Enhancement with WB, HLC, BLC, DNR, Defog, 2D/3D noise reduction
- AI with motion, human and vehicle detection
- Intrusion, Tripwire, Loitering, Wrong-way, Illegal Parking detection.
- Built-in IR LED illuminator with a 20 m range
- Smart spotlight on human detection
- IP66 water-resistant and dust-tight housing with an operating temperature range of -40 °C to 60 °C
- Built-in microphone
- MicroSD card slot for local recording
- ONVIF Profile S compliant
- Built-in PoE support

REMOTE MANAGEMENT AND MONITORING



D-LINK CCTV APP

Manage and view live streams on-the-go with the D-Link CCTV app.

Free to download, no subscription

DCMS+ CENTRAL MANAGEMENT SOFTWARE¹

Free Software

- 10,000+ Channels (Cameras and NVRs)
- Server / Client architecture
- Face Recognition with up to 1,000,000 Face Library
- Whitelist & Blacklist actions
- Thermal Monitoring
- Configurable Alarms
- Smart Search, Face Tracking
- Multiple Screens Support
- Reporting and Statistics
- E-Map Function
- Optimised software – does not require powerful hardware to run

Vigilance 5 Megapixel H.265 Outdoor Turret Camera

High-definition professional surveillance and security solution,
suitable for small, medium, and large enterprises.

DCS-F4805E

- 1/2.7" 5 Megapixel progressive CMOS sensor
- Resolution of up to 2880 × 1620 at 30 fps
- H.265, H.264 and MJPEG codec support
- True WDR (Wide Dynamic Range)
- Image Enhancement with WB, HLC, BLC, DNR, Defog, 2D/3D noise reduction
- AI with motion, human and vehicle detection
- Intrusion, Tripwire, Loitering, Wrong-way, Illegal Parking Detection.
- Smart spotlight on human detection
- Built-in IR LED illuminator with a 20 m range
- IP66 water-resistant and dust-tight housing with an operating temperature range of -40 to 60 °C
- Built-in microphone
- MicroSD card slot for local recording
- ONVIF Profile S compliant
- Built-in PoE support



Smart Illumination

Night surveillance with Dual Lights: Infra-Red and Spotlight on human detection



20 Metre Night Vision

See up to 20 metres in the dark with built-in Smart LEDs



Weatherproof

IP66 Water-resistant and dust-tight housing with an operating temperature range of -40 to 60 °C



H.265 Support

HEVC (High-Efficiency Video Coding) for better visual quality and recording performance



True WDR (Wide Dynamic Range)

Easily identify subjects in any lighting



AI Intelligence

Accurate human and vehicle detection. Intrusion, tripwire, loitering, wrong-way, illegal parking detection. People counting.



ONVIF Compliant

Integrate this Camera with many ONVIF-capable third party software or NVR solutions

Camera

Camera Hardware Profile	1/2.7" 5-Megapixel Progressive CMOS Sensor Max. Resolution: 5MP (2880x1620) @ 30 fps Electronic Shutter 1/5 - 1/20,000s (Auto/Manual) 30 Metre Spotlight Illumination Distance 20 Metre IR Illumination Distance Minimum illumination: Colour: 0.01 lux @(F1.6, AGC ON) B/W: 0 lux @(IR LED ON) Smart IR Built-in Infrared-Cut Removable (ICR) Filter Module Focal Length: 2.8 mm Aperture: F2.0 Angle of view: (H) 105° (V) 56° 3-Axis Adjustment Angle (Non-Motorised): Pan: 0° - 355° Tilt: 0° - 80° Rotate: 0° - 360°
-------------------------	---

Camera Housing	IP66 Weatherproof Housing
----------------	---------------------------

Video	Max. Resolution: 5MP (2880x1620) @ 30 fps Video compression: H.265/H.264/MJPEG Configurable image size/quality/frame rate/bit rate Time stamp and text overlays Configurable shutter speed/brightness/saturation/ contrast/sharpness/3D filter Configurable Motion Detection Area Configurable Privacy Mask Zones Auto White Balance (AWB) Auto Gain Control (AGC) Highlight compensation (HLC) Backlight compensation (BLC) Defog True Wide Dynamic Range (WDR) S/N Ratio: 55 dB Aisle Mode
-------	---

Interfaces	Network Interface: 1 Ethernet (10/100 Base-T) RJ-45 Connector Built-in Microphone Built-in SD Card Slot: up to 256GB Reset Button
------------	---

Network

Network Protocols	IPv4/IPv6 802.1x HTTP HTTPS TCP/IP UDP/IP RTSP DHCP NTP RTCP/RTP PPPoE SMTP DNS UPnP FTP ARP SNMP TLS/SSL
-------------------	--

Interoperability	ONVIF, SDK, CGI
------------------	-----------------



System Management

Event Management	Motion Detection Multiple Event Notifications Event Notification and uploading of snapshots via email or FTP Video Recording to microSD card*, Network Video Recorder or ONVIF-Compliant NAS
Smart Functions	Supports human and vehicle detection. Spotlight Illumination on human detection. Intrusion Detection: Perimeter, Single virtual fence, Double virtual fences, Loiter. Smart motion detection. Wrong-way and Illegal Parking detection. Alarm triggering by specified target types (human and vehicle).
Remote Management	Remote Management via NVR or DCMS+ Software Remotely take snapshots/video clips Configuration interface accessible via a web browser
Remote Monitoring	Remote monitoring via NVR, DCMS+ Software, Web browser, D-Link CCTV app (Android and iOS), third party ONVIF and RTSP compatible devices and software
Supported Web Browsers	Chrome, Firefox, Edge, Safari (MJPEG only)
DCMS+ Software Requirements	Free download. Compatible with Windows 10 (64 bit), Windows 11, Windows Server 2012, Windows Server 2016 / 2019 / 2022

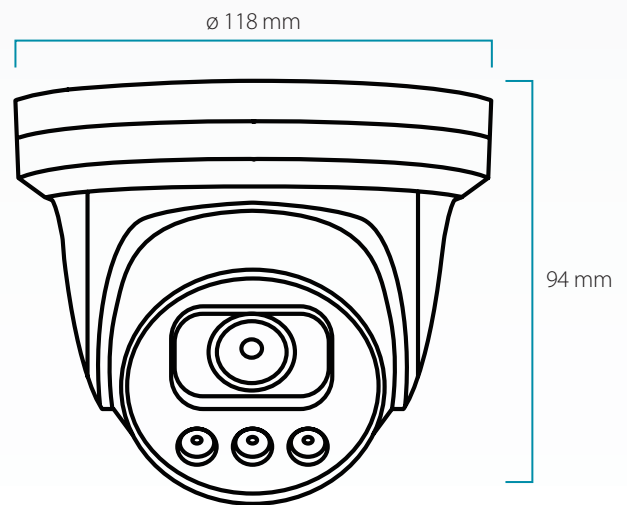
General

Weight	0.55 kg
Power Options	PoE (IEEE 802.3af/802.3at) 12 V DC 1.5 A (adapter not included)
Max Power Consumption	4.4 W
Operating Temperature	-40 to 60 °C
Storage Temperature	-20 to 70 °C
Operating/Storage Humidity	Max. 90% non-condensing
Dimensions	ø 118 × 94 mm
Certifications	CE, FCC, RCM

Order Information

DCS-F4805E	Vigilance 5MP Day & Night Outdoor Turret PoE Network Camera
------------	---

*microSD card not included. Supports capacity up to 256 GB.



Power Supply

Model Name 12V DC 1.5 A Power supply

Model Number DLP101-12V1.5A



Mounts

Model Name Junction Box

Pendant Cap

Model Number DCS-F480JB

DCS-F480PC



Model Name Wall Mount

Pole Mount

Model Number DCS-F400WM

DCS-F400PM



Junction Box Configuration



Junction Box
DCS-F480JB

Compatible Dome Camera
DCS-F4805E

Wall Mount Configuration

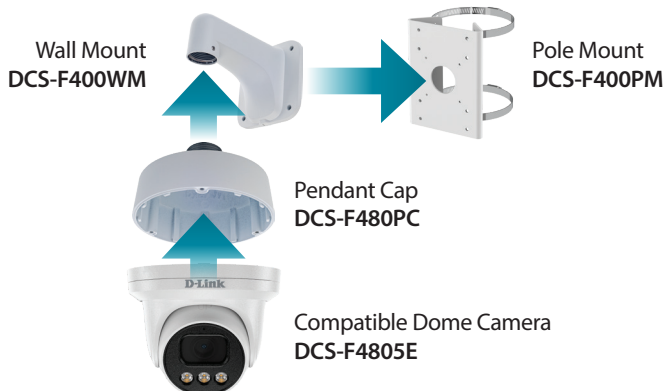


Wall Mount
DCS-F400WM

Pendant Cap
DCS-F480PC

Compatible Dome Camera
DCS-F4805E

Pole Mount Configuration



Highlights

Comprehensive Surveillance

Simultaneously record and view real-time video streams from up to 8 Cameras on a local network or remotely over the Internet.

Flexible and Dependable

Supports up to 12TB of internal storage, providing months of video footage capacity.

Convenient and Easy to Use

Simple HDMI/VGA interfaces and USB mouse support allow extensive actions to be taken on viewing, recording, adjusting cameras.



DNR-F4108-08P

Vigilance 8-Channel H.265 PoE Network Video Recorder

Features

Trustworthy Surveillance

Reliable Network Video Recorder for home and business. View real-time and recorded video of all 8 Cameras from anywhere at your home or office, or remotely via the Internet.

Convenient Interface

User-friendly interface provides simultaneous live view, recording, and playback.

Effortless network camera setup & management with HDMI/VGA ports and USB mouse support.

Easy to use mobile app lets you monitor the system remotely on a mobile device.

Full-Featured Functionality

Supports H.264, H.265 and H.265+ compression formats.

Powerful AI with human and vehicle detection, people count and face recognition¹.

Continuous, scheduled or on event recording with automatic overwrite function.

Flexible and Scalable

One Standalone device - eliminates the need for a dedicated PC.

Standard SATA 3.5" HDD interface supports up to 12 TB capacity per Hard Disk Drive².

Supports ONVIF compliant Network Cameras.

The DNR-F4108-08P is an advanced Network Video Recorder (NVR) which supports up to 8 multichannel Network Cameras with H.265 and H.264 recording. It supports standard SATA Hard Disk for up to 12TB video storage. Thanks to a powerful embedded system, the NVR can record video from Network Cameras located on local or remote sites onto dedicated HDD storage without having to turn on a PC. The DNR-F4108-08P NVR supports real-time monitoring and playback via two HDMI or VGA ports, a web browser, or via a mobile app, giving the operator the ability to watch live or recorded footage from anywhere, at anytime. Importantly, the NVR can continue recording while simultaneously allowing the user to watch the live view and search for playback videos. Complete video management, display and playback capabilities make the DNR-F4108-08P a critical piece of equipment in your efforts to ensure a safe and secure workplace environment.

Automated Surveillance

The DNR-F4108-08P NVR provides a variety of options for viewing live streams and Camera footage onscreen as well as automatically recording events as they happen, with or without an operator on-site. Event-based recording is available for Cameras with motion detection and Alarm In connections are supported for triggers such as door and window sensors for automated recording during unusual events. User-defined scheduled recording and continuous recording with automatic overwriting options help to ensure the surveillance system is running reliably, even when not monitored on an ongoing basis.

Live Monitoring

D-Link's intuitive GUI interface simplifies viewing live and recorded video from the NVR. The camera status page shows connection and recording status, along with frame rate and bit rate information for each camera. Users are provided with a variety of options for viewing and organising camera footage on-screen. Smart search features including specific face and vehicle search capabilities, combined with calendar filters allow administrators to quickly find the specific footage they need.

Extensive Recording Functionality

The DNR-F4108-08P's intuitive interface allows for easy configuration of many functions including compression, resolution, bit rate and frame rate for all connected Cameras. These extensive options provide administrators the flexibility to prioritise storage space and video quality. The NVR records video from up to 8 Network Cameras simultaneously. Once Cameras have been set up, a highly configurable scheduling system allows for continuous recording, scheduled recording or event based recording. Each Camera can be set to record independently at preset intervals. The NVR can be configured to overwrite the oldest data automatically when HDD space runs out, allowing for continuous and uninterrupted recording.

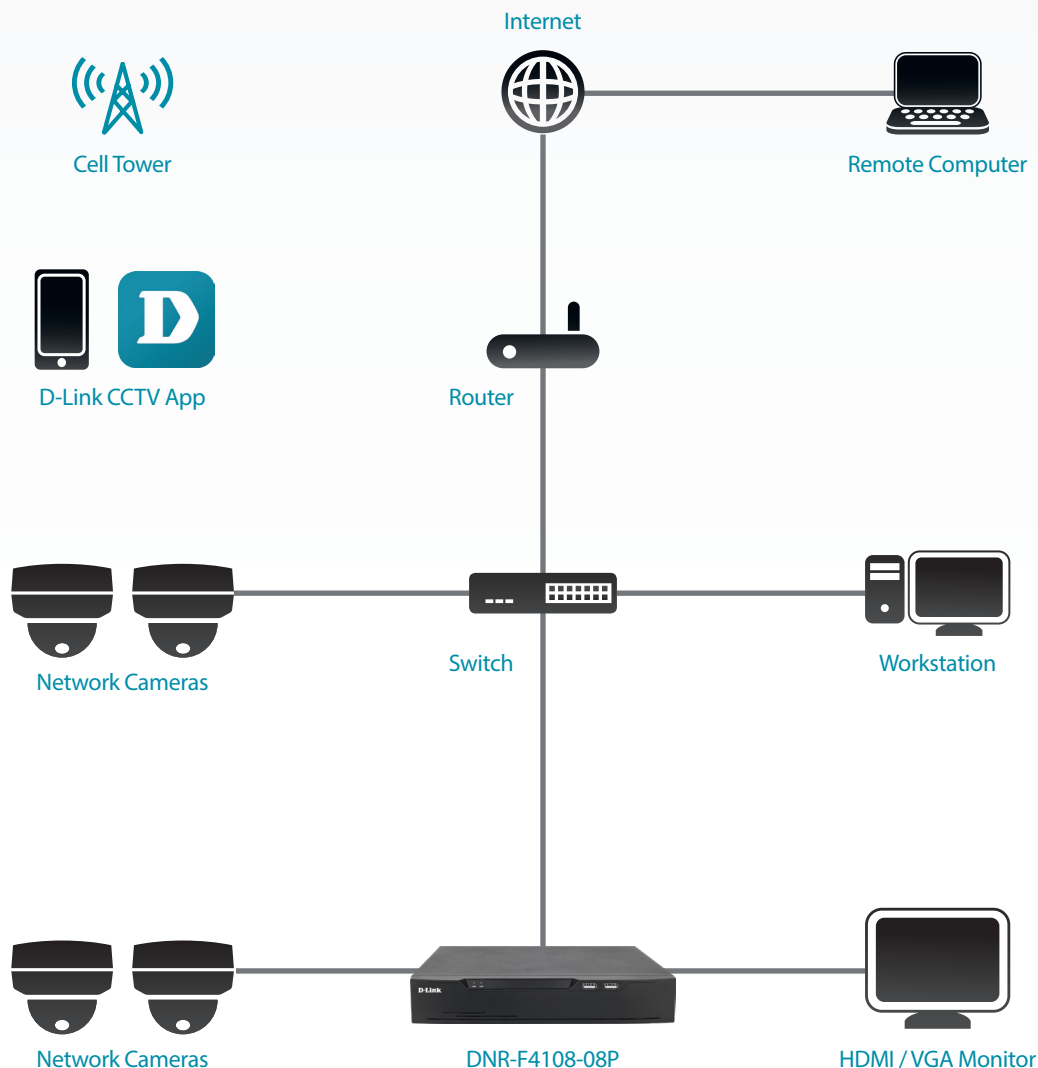
Powerful Event Management

The NVR centrally controls the email notifications and recording for all the connected Cameras. Input triggered from Camera events can additionally be monitored. These events will be logged, with notifications via email. Users can set up multiple contacts for event notification. A straightforward logging system organises events by date for easy recall.

Smooth Streaming from Anywhere

The DNR-F4108-08P also enables users to remotely view and manage the NVR from anywhere via a web browser. The Gigabit Ethernet port provides superior bandwidth for viewing 8 Camera streams simultaneously, so critical moments can be monitored and captured at all times. Rounding out the features is the D-Link CCTV Mobile App that lets administrators easily and remotely access and monitor the DNR-F4108-08P on a mobile device — making this 8 Channel H.265 PoE Network Video Recorder a complete, easy-to-use enterprise Surveillance Solution.

Network Setup



Technical Specifications		
General		
Standards	<ul style="list-style-type: none"> • IEEE 802.3x/u/ab • SATA I/II/III 	<ul style="list-style-type: none"> • Auto MDI/MDI-X
HDD ²	<ul style="list-style-type: none"> • 1x SATA port, up to 12 TB capacity per HDD Drive³ 	
Reset	<ul style="list-style-type: none"> • Reset through GUI 	<ul style="list-style-type: none"> • Password Recovery
Network Interface	<ul style="list-style-type: none"> • Gigabit Ethernet port (10/100/1000 Mbps) 	
I/O Ports	<ul style="list-style-type: none"> • 1 x 10/100/1000 Base-T RJ-45 port • 1 x HDMI (supports 4K resolution) • 1 x VGA (supports 1080P resolution) 	<ul style="list-style-type: none"> • 3 x USB 2.0 ports • 3.5 mm Audio Input x 1, Output x 1 • 8 x Alarm In, 1 x Alarm Out
PoE	<ul style="list-style-type: none"> • 8 x 10/100 Mbps RJ-45 ports • IEEE 802.3af 	<ul style="list-style-type: none"> • 72 W total PoE budget
Features		
Supported Cameras ⁴	<ul style="list-style-type: none"> • Supports ONVIF compliant IP Cameras 	<ul style="list-style-type: none"> • Supports auto-discovery
Live View/Playback	<ul style="list-style-type: none"> • HDMI port max output resolution: 4K⁴ 	<ul style="list-style-type: none"> • VGA port max output resolution: 1080p
Multi-Screen Display	1st Screen: 1/4/9 channels 2nd Screen: 1/4/9 channels	
Recording Performance	<ul style="list-style-type: none"> • Max recording bitrate: 56 Mbps 	
Audio and Video Recording	<ul style="list-style-type: none"> • Synchronised Audio and Video recording 	
Compression Format	<ul style="list-style-type: none"> • H.264 • H.265 	<ul style="list-style-type: none"> • H.265+
Audio Compression Format	<ul style="list-style-type: none"> • G.711 	<ul style="list-style-type: none"> • AAC
Video Setting	<ul style="list-style-type: none"> • Resolution • Bitrate 	<ul style="list-style-type: none"> • Frame rate • Video profile selection
Recording Mode	<ul style="list-style-type: none"> • Schedule, manual and event-based recording 	<ul style="list-style-type: none"> • Motion-triggered recording
Alarm Triggers	<ul style="list-style-type: none"> • Motion Detection, Video Loss, Camera Tamper, Alarm in, IVS, Disk error, Network error 	
Live View Control	<ul style="list-style-type: none"> • Manual record • Instant playback • Audio enable/disable • PTZ control 	<ul style="list-style-type: none"> • 3D (on screen PTZ) • Digital zoom in/zoom out • Image setting • Two-Way Audio
Playback Control	<ul style="list-style-type: none"> • Normal • Rewind • Play • Stop • Next frame 	<ul style="list-style-type: none"> • Playback speed adjust (maximum triple speeds) • Audio enable/disable • Start Backup • Batch Backup • 1/6/12/24 Hour(s) options • Zoom
AI Face Recognition ¹	Real-time face capture and recognition with face recognition results: Name and ID, stranger, channel, similarity	
AI Multi-Objective ¹	Real-time capture and display vehicle, human body, non-motor vehicle, face recognition results (recognised, stranger, channel, similarity).	
Overwrite Recording	<ul style="list-style-type: none"> • Auto recycling when disk storage is full 	
Video Export	<ul style="list-style-type: none"> • Export video to MP4 file format 	
User Account	<ul style="list-style-type: none"> • Additional accounts can be created to allow users system access and specify permission levels for Camera Channels, PTZ etc. 	

DDNS	<ul style="list-style-type: none"> • No_IP • AutoDNS 	<ul style="list-style-type: none"> • DynDNS
System Time	<ul style="list-style-type: none"> • Sync with NTP server • Manual Input time 	<ul style="list-style-type: none"> • Time Zone • Daylight Saving Time
System Status	<ul style="list-style-type: none"> • Channel status • HDD status 	<ul style="list-style-type: none"> • System status • Network status
Network Service Protocols	<ul style="list-style-type: none"> • IPv4, ARP, TCP, UDP, ICMP • DHCP Server (PoE ports) • DHCP Client (LAN ports) • NTP Client • DNS Client • DDNS Client • SMTP Client 	<ul style="list-style-type: none"> • HTTP/HTTPS Server • RTP • RTSP over TCP • RTCP • IP filtering • SNMP v1/v2c/v3
User Interface	<ul style="list-style-type: none"> • HTTP Web browser • Console via HDMI/VGA 	<ul style="list-style-type: none"> • D-Link CCTV Mobile App • DCMS+ Software
Requirements for Web Interface	<ul style="list-style-type: none"> • Chrome, Firefox, Edge, Safari (MJPEG only) 	
D-Link CCTV Mobile App	<ul style="list-style-type: none"> • Available for Android, iOS 	
Requirements for DCMS+ Software	Free download. Compatible with Windows 10 (64 bit), Windows 11, Windows Server 2012, Windows Server 2016 / 2019 / 2022	
Physical		
Weight	<ul style="list-style-type: none"> • 1.0 kg (without HDD) 	
Power Input	<ul style="list-style-type: none"> • Input: 100 to 240 V AC/ 3.0 A, 50 to 60 Hz 	
Power Consumption	<ul style="list-style-type: none"> • Max. 90 W 	
Temperature	<ul style="list-style-type: none"> • Operating: 0 to 50 °C 	<ul style="list-style-type: none"> • Storage: -20 to 70 °C
Humidity	<ul style="list-style-type: none"> • Max of 90% non-condensing 	
Certifications	<ul style="list-style-type: none"> • CE • FCC 	<ul style="list-style-type: none"> • RCM
Dimensions		
Rear Panel		
Order Information		
Part Number	Description	
DNR-F4108-08P	Vigilance 8 Channel Network Video Recorder with SATA HDD Bay and 8 Built-in PoE Ports	

¹ Feature set depends on the camera being used

² The DNR8P-5MP-4TB comes with 4TB HDD pre-installed.

³ Supports one Hard Disk of up to 12 TB capacity.

⁴ 1 Channel supports 12MP, 4 Channels support 4MP, 8 Channels support 1080p resolution at 30fps.