



# IndigoVision®

a Motorola Solutions Company

2MP

4MP

8MP

PTZ



# PTZ Cameras

## Capture every detail with ultra-high resolution

The IndigoVision Pan-Tilt-Zoom (PTZ) camera brings wide area coverage, high-speed movement and long range detail, empowering security operators with 360° views to monitor large areas with ease, including greater zooming capabilities for evidentiary detail. This powerful camera delivers high-quality, detailed images with up to 36x zoom, which is ideal for critical infrastructure, public safety, sports and leisure, commercial buildings, transportation and large open areas (e.g. car parks) for superior situational awareness.

### Key Features & Benefits



#### LOW LIGHT TECHNOLOGY

Deliver safety and capture unexceptionably detailed footage even in low-light settings.



#### H.264/H.265 WITH SMARTCODEC TECHNOLOGY

Reduce costs by maximizing bandwidth utilization and storage consumption without compromising image quality.



#### ONVIF® COMPLIANT

Built on an open platform to allow integration with other security solutions, so you can expand your existing security system.



#### IP AND IK RATED

Trust the robustness and reliability of your system with IP66/67 weather rating and IK10 impact rating for vandal resistance.



#### 5 YEAR WARRANTY

Gain peace of mind with products backed by a 5-year, industry-leading warranty.



#### WIDE DYNAMIC RANGE

Capture details in scenes with both very bright and dark areas, so you can detect suspicious activity in all lighting conditions.



#### LONG RANGE DETAIL

36x zooming capabilities sets a new standard for high-performance PTZ cameras with greater evidentiary detail.



#### ENCLOSURE RATED

NEMA 4X enclosure rating for windblown dust, water (e.g. rain, hose-directed water), and corrosion resistance.



#### 360° COVERAGE

Monitor virtually any area within a 360° view, including straight down and above the horizon.



#### NDAA COMPLIANT

Approach US government with confidence, knowing our cameras comply with the National Defense Authorization Act.

# Specifications

Image Performance	2MP	4MP	8MP
Sensor	1/2.8" progressive scan CMOS	1/2.5" Type "Exmor R" CMOS Sensor	
Active Pixels (HxV)	1920 (H) × 1080 (V)	2688 (H) × 1512 (V)	3840 (H) × 2160 (V)
Imaging Area (H x V)	4.8 mm × 2.7 mm; 0.189" × 0.106"	6.2 mm × 3.5 mm; 0.244" × 0.138"	
Minimum Illumination	0.1 lux (F/1.6) in color mode; 0.03 lux (F/1.6) in monochrome	0.3 lux (F/2.0) in color mode; 0.09 lux (F/2.0) in monochrome	
Dynamic Range	120+ dB		
Image Rate	Up to 60 fps	Up to 30 fps	Up to 30 fps
Aspect Ratio (Resolution Scaling)	Down to (16:9) 384×216 or (5:4) 320×256		
3D Noise Reduction Filter	Yes		

Lens	2MP	4MP	8MP
Lens	4.3 mm to 129 mm, F/1.6 – F/4.7, autofocus	4.4 mm to 88 mm, F/2.0 – F/3.8	
Angle of View Horizontal	63.7° – 1.9°	69.7° – 2.2°	
Angle of View Vertical	38.5° – 1.1°	42.8° – 1.3°	
Zoom	36x (with image stabilization off), 30x (with image stabilization on)		

Image Control	
Video Compression	H.264 SmartCodec, H.265 SmartCodec, Motion JPEG
Streaming	Multi-stream H.264, Multi-stream H.265, Motion JPEG
Analytics*	Object Not Present In Area, Object Loitering, Object Crosses Beam, Objects Enter Area, Objects Leave Area, Object Stops In Area, Direction Violated, Camera Tampering, Scene Change (Analytics Service)
Motion Detection	Pixel motion: Selectable sensitivity and threshold. Classified object detection
Electronic Shutter Control	Automatic, Manual (1/1 to 1/10,000 sec)
Iris Control	Automatic, Open, Closed
Day/Night Control	Automatic, Manual
Flicker Control	60 Hz, 50 Hz
White Balance	Automatic, Manual
Backlight Compensation	On/Off
Privacy Zones	3D, up to 64 zones
Presets	500 named presets
Tours	10 named tours
Audio Compression Method	G.711, Opus
Electronic Image Stabilization	Yes
Digital Defog	Adjustable/Off

Network	
Network	100BASE-TX
Cabling Type	CAT5e
Connector	RJ-45
ONVIF	ONVIF compliance version 1.02, 2.00, Profile S, Profile T, Profile G ( <a href="http://www.onvif.org">www.onvif.org</a> )
Security	Password protection, HTTPS encryption, digest authentication, WS authentication, user access log, 802.1x port based authentication
Protocol	IPv6, IPv4, HTTP, HTTPS, SOAP, DNS, NTP, RTSP, RTCP, RTP, TCP, UDP, IGMP, ICMP, DHCP, Zeroconf, ARP
Streaming Protocols	RTP/UDP, RTP/UDP multicast, RTP/RTSP/TCP, RTP/RTSP/HTTP/TCP, RTP/RTSP/HTTPS/TCP, HTTP
Device Management Protocols	SNMP v2c, SNMP v3
IndigoVision Software Requirements	Control Center v17.1 or later
NDAA	This product is compliant with the National Defense Authorization Act (NDA). Section 889 of the NDA prohibits the U.S. government from procuring video and telecommunications equipment from certain Chinese companies and their subsidiaries.

Peripherals	
Audio Input/Output	Line level input and output
External I/O Terminals	2 Alarm In, 2 Alarm Out
Onboard Storage	2 × microSD/microSDHC/microSDXC slot – minimum class 6; class 10/UHS-1 or better recommended.

\* Analytics supported at Home position only.

# Specifications

Mechanical	In-Ceiling Mount	Pendant Mount
Dimensions (OxH)	228 mm × 252 mm; 9.0" × 9.9"	242 mm × 347 mm; 9.5" × 13.7"
Weight	3.4 kg; 7.5 lbs	3.7 kg; 8.2 lbs
Dome Bubble	Polycarbonate	
Body	Aluminum	
Housing	Recessed mount	Pendant mount
Finish	Powder coat, grey	
Tilt	-10° to 90°, e-Flip, 300°/second	
Pan	360°, endless, 300°/second	

Electrical	
Power Consumption	51 W max with 24 VDC aux power, 75 VA with 24 VAC aux power, 51 W max with 60 W PoE++, 25.5 W max with 30 W PoE+
Power Source	External Power
	PoE*
Power Connector	Red and Black input wires
RTC Backup Battery	3V manganese lithium

\* 60W PoE may not be compatible with switches and injectors not listed here.

Environmental	In-Ceiling Mount	Pendant Mount
Operating Temperature	30 °C to +60 °C (-22 °F to 140 °F) with external power or 60 W PoE -10 °C to +60 °C (14 °F to 140 °F) with IEEE 802.3at 30 W PoE+	-40 °C to +60 °C (-40 °F to 140 °F) with external power or 60 W PoE -10 °C to +60 °C (14 °F to 140 °F) with IEEE 802.3at 30 W PoE+
Storage Temperature	-10 °C to +70 °C (14 °F to 158 °F)	
Humidity	0-95%, non-condensing	

Certifications	
Certifications/Directives	UL, cUL, CE, ROHS, RCM
Safety	UL 62368-1, CSA 62368-1, IEC/EN 62368-1
Environmental	In-Ceiling
	Pendant
Electromagnetic Emissions	FCC Part 15 Subpart B Class B, IC ICES-003 Class B, EN 55032 Class B, EN 61000-6-3, EN 61000-6-4, EN 61000-3-2, EN 61000-3-3, EN 50121-4
Electromagnetic Immunity	EN 55035, EN 61000-6-1, EN 50121-4

# Analytics Specifications

Supported Analytics Events	
Objects in Area	The event is triggered when the selected object type moves into the region of interest.
Object Loitering	The event is triggered when the selected object type moves into the region of interest and then stays for an extended amount of time.
Objects Crossing Beam	The event is triggered when the specified number of objects have crossed the directional beam that is configured over the camera's field of view. The beam can be unidirectional or bidirectional.
Object Appears or Enters Area	The event is triggered by each object that enters the region of interest. This event can be used to count objects.
Object Not Present in Area	The event is triggered when no objects are present in the region of interest.
Objects Enter Area	The event is triggered when the specified number of objects have entered the region of interest.
Objects Leave Area	The event is triggered when the specified number of objects have left the region of interest.
Object Stops in Area	The event is triggered when an object moves into a region of interest and then stops moving for the specified threshold time.
Direction Violated	The event is triggered when an object moves in the prohibited direction of travel.
Tamper Detection	The event is triggered when the scene unexpectedly changes.

Supported Classified Object Types	
Object Types in Outdoor Mode	Vehicle, sub-types: Car, Truck, Bicycle, Motorcycle, Bus Person
Object Types in Indoor Mode	Person

# Ordering Information

Model	Product Code	MP	WDR	Lens	Zoom	IP66/IP67	Smart Codec	Low Light Technology
2MP-PTZ-DP36	750540	2.0	True WDR	4.3 - 129mm	36x*	✓	✓	✓
2MP-PTZ-DC36	750500	2.0	True WDR	4.3 - 129mm	36x*		✓	✓
4MP-PTZ-DP36	751540	4.0	Digital WDR	4.4 - 88mm	36x*	✓	✓	✓
4MP-PTZ-DC36	751500	4.0	Digital WDR	4.4 - 88mm	36x*		✓	✓
8MP-PTZ-DP36	753540	8.0	Digital WDR	4.4 - 88mm	36x*	✓	✓	✓
8MP-PTZ-DC36	753500	8.0	Digital WDR	4.4 - 88mm	36x*		✓	✓

\* 36x zoom is achieved with Image Stabilization off. Image Stabilization set to on will provide 30x zoom.

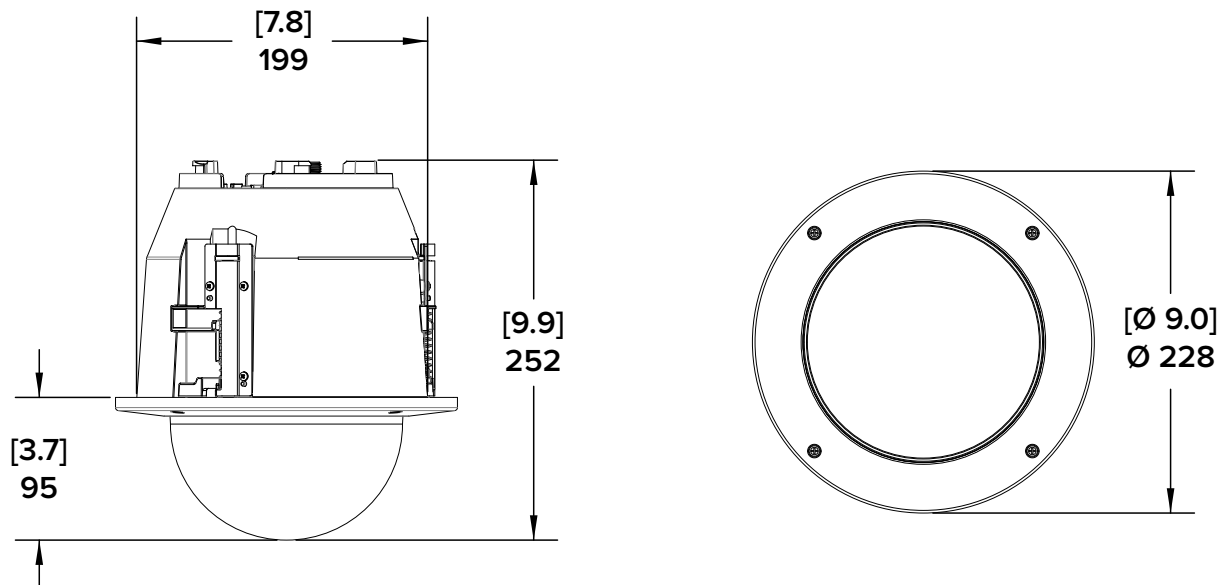
## Optional Camera Accessories

Display Part Number	Product Code	Pendant PTZ	In-Ceiling PTZ	Description
MS-IRPTZ-NPTA-MNT	150501	✓		NPT Pendant Adapter
MS-IRPTZ-WALL-MNT	150500	✓		Wall Arm Mount
POLE-MNT	150506	✓		Pole Mounting Bracket
CRNR-MNT	150507	✓		Corner Mounting Bracket
PTZ-DC-CPNL	150261		✓	Metal Ceiling Panel for In-Ceiling Installation
PTZ-COVR-CLR	150416	✓	✓	Clear Bubble Assembly - Replacement
PTZ-COVR-SMK	150414	✓	✓	Smoked Bubble Assembly - Replacement
POE-60	150101	✓	✓	Single Port PoE Injector Gigabit, 60W.
POE-30	150100	✓	✓	30W PoE+ Injector. Injector operational temperature range is -20°C (-4°F) to 40°C (104°F). NA/EU/UK/AU options available.
PTZ-GLAND	150555	✓		Cable gland nut kit, pack of 10

# Outline Dimensions

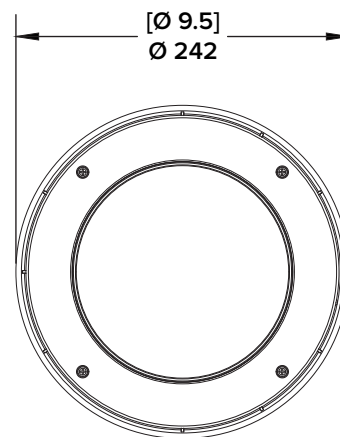
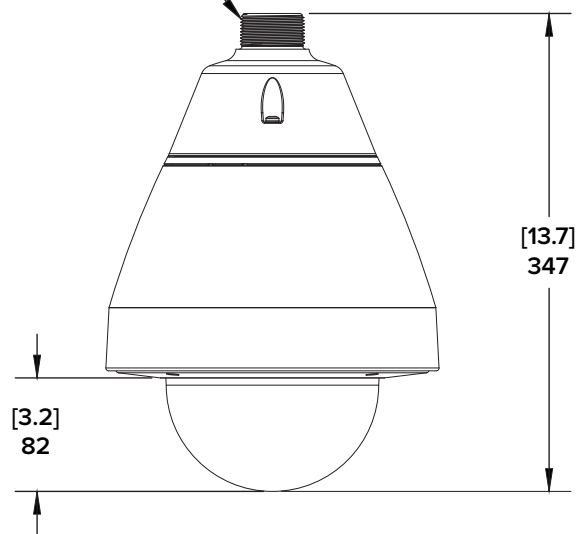
## In-Ceiling PTZ Dome Camera

(PTZ-DC)

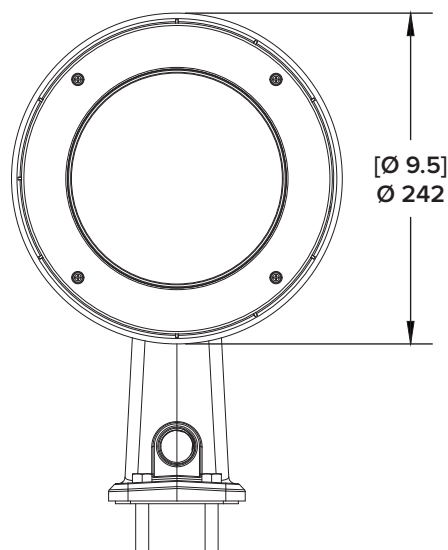
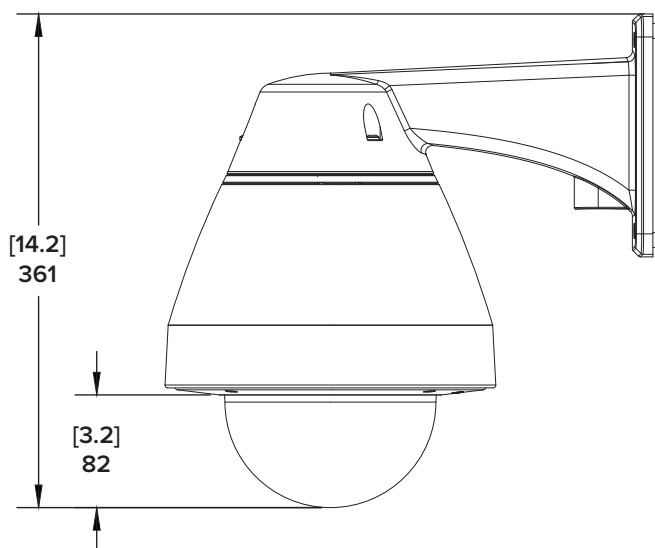


## Pendant PTZ Dome Camera (PTZ-DP)

1 1/2" NPT Thread Mount



## Pendant PTZ Dome Camera (PTZ-DP) WITH WALL ARM



ID: PTZ 22.0 NOV 22