



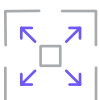
AVA
BULLET



Available in wide and tele lenses for flexible coverage



Simple to install with innovative sliding body design and easy onboarding



Dynamic resolution up to 4K



Built-in AI video and audio analytics and on-device storage



Factory-installed certificates backed by a trusted platform module (TPM)



Designed and developed in Norway and the UK

Image sensor

8MP (4K) or 5MP

Image sensor size format

1/1.8"

Lens (wide)

Focal length: 4.3-10.8mm

Aperture: $f/1.38$ - $f/2.8$

Lens (tele)

Focal length: 11-28mm

Aperture: $f/1.47$ - $f/1.69$

IR night vision

Automatic night mode

IR-cut filter

850 nm IR LED

Field of view (wide)

100°-40° Horizontal

53°-23° Vertical

Field of view (tele)

39°-16° Horizontal

23°-9° Vertical

Maximum resolution & Frame rate 8MP (4K)

3840x2160@30fps

Maximum resolution & Frame rate 5MP

3072x1728@30fps

Dynamic range

Multi-exposure line-based HDR

Video compression

H.265, H.264, Motion JPEG

Audio

Microphone array (4x microphones)

Audio classification

Audio localization

Security

Trusted Platform Module (TPM 2.0), Factory installed certificates, No default passwords, Mandatory access authentication, HTTPS/TLS encryption

Network protocols

IPv4, HTTPS, TLS, DNS, mDNS, DNS-SD, NTP, RTSP, RTP, RTCP, ICMP, DHCP, ARP
Streaming: RTP/UDP, RTP/RTSP/HTTPS/TCP

Power source

PoE+ (802.3at Type 2), normal operation

PoE (802.3 af), without heat and IR

USB-C, installation only

Power consumption

Typical: 5 W

Max without heater, with IR: 12.95 W

Max with heater: 23 W

Storage

2x MicroSD, SDXC UHS-I

Connection

802.3u 10/100 Ethernet

USB-C for preview and setup

Installation aid

Versatile bracket, mounts to standard back boxes. Refer to technical drawing.

Adjustment range

Pan, Tilt, Roll

Impact resistance

IK10 (IEC/EN 62262)

Ingress protection

IP67 (IEC/EN 60529)

Temperature

Operating: -25°C to +50°C

Storage: -40°C to +60°C

Physical characteristics

Dimensions: 284x86x108mm

Weight: 1.33 kg

Body: Aluminum

EMC

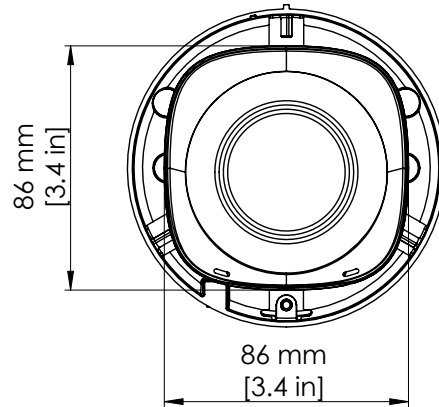
FCC subpart 15B, ICES-003 Issue 7, EN55032, EN 61000-6-4, EN 61000-3-2, EN 61000-3-3, EN50130-4, CISPR 32, AS/NZS CISPR 32

Safety

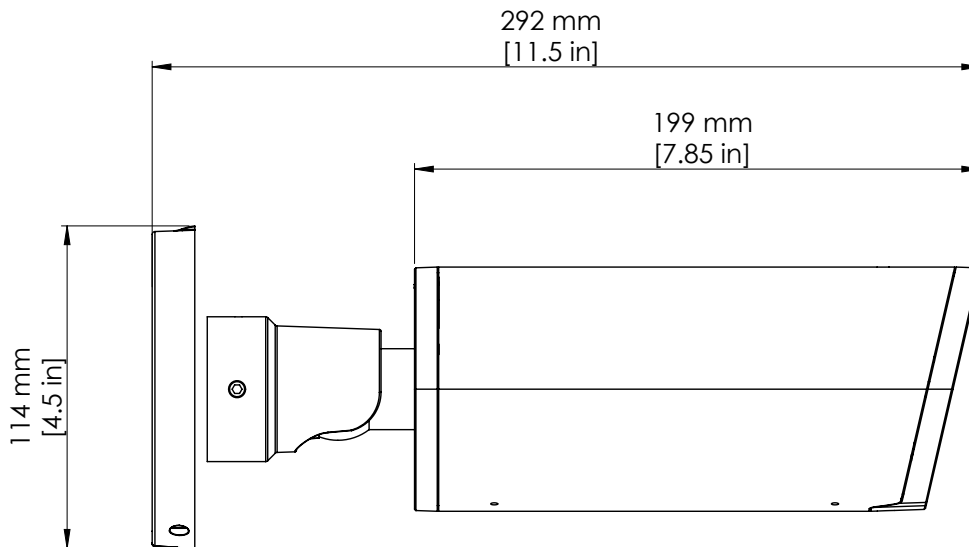
IEC62368-1, UL62368-1, IEC62471

Technical drawings

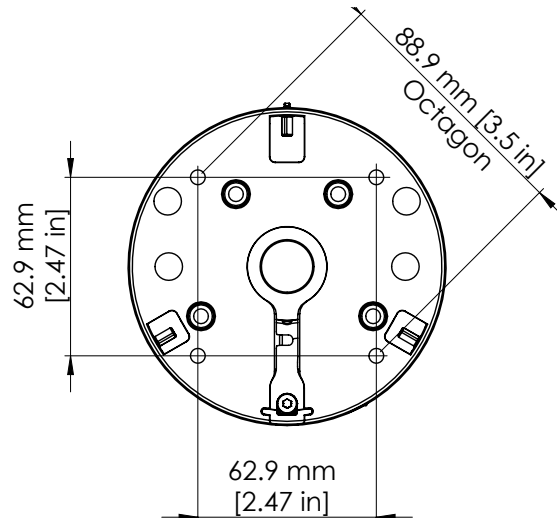
Front view



Side view



Rear view



Ordering information

Ava Bullet Tele

Product ID	Resolution	Onboard retention	Color
BULLET-TE-W	4K	No. Cloud Connector required	White
BULLET-TE-W-4K-30	4K	30 days	White
BULLET-TE-W-4K-60	4K	60 days	White
BULLET-TE-W-5MP	5MP	No. Cloud Connector required	White
BULLET-TE-W-5MP-30	5MP	30 days	White
BULLET-TE-W-5MP-60	5MP	60 days	White
BULLET-TE-W-5MP-120	5MP	120 days	White
BULLET-TE-B	4K	No. Cloud Connector required	Black
BULLET-TE-B-4K-30	4K	30 days	Black
BULLET-TE-B-4K-60	4K	60 days	Black
BULLET-TE-B-5MP	5MP	No. Cloud Connector required	Black
BULLET-TE-B-5MP-30	5MP	30 days	Black
BULLET-TE-B-5MP-60	5MP	60 days	Black
BULLET-TE-B-5MP-120	5MP	120 days	Black

Ordering information

Ava Bullet Wide

Product ID	Resolution	Onboard retention	Color
BULLET-WI-W	4K	No. Cloud Connector required	White
BULLET-WI-W-4K-30	4K	30 days	White
BULLET-WI-W-4K-60	4K	60 days	White
BULLET-WI-W-5MP	5MP	No. Cloud Connector required	White
BULLET-WI-W-5MP-30	5MP	30 days	White
BULLET-WI-W-5MP-60	5MP	60 days	White
BULLET-WI-W-5MP-120	5MP	120 days	White
BULLET-WI-B	4K	No. Cloud Connector required	Black
BULLET-WI-B-4K-30	4K	30 days	Black
BULLET-WI-B-4K-60	4K	60 days	Black
BULLET-WI-B-5MP	5MP	No. Cloud Connector required	Black
BULLET-WI-B-5MP-30	5MP	30 days	Black
BULLET-WI-B-5MP-60	5MP	60 days	Black
BULLET-WI-B-5MP-120	5MP	120 days	Black