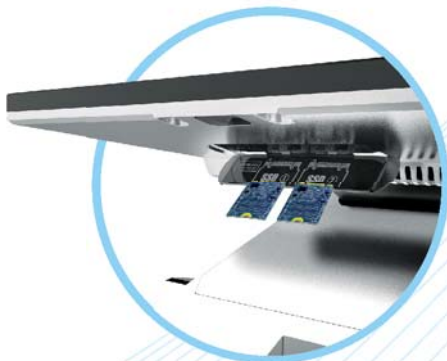


# v6 POS



2 x Removable M.2 SSD



Fanless & Screwless



IP54 Whole Unit

**SE**NOR

# SENROR v6POS Series Touch POS Terminal

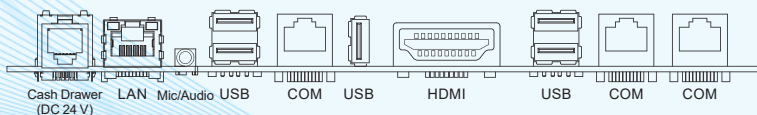
Senor v6POS series feature a brand new concept with an ultra-narrow bezel-less screen and sleek exterior design, with coloured frame and casing to match the retailer's style.



v6POS is an energy-efficient solution with low power consumption on a high-performing platform. The CPU consumes less power, generates less heat and helps to keep our environment green.

With its elegant design, v6POS is ideally suited for the retail and hospitality industries' flagship and pop-up stores.

## I/O Connector



### v6POS Standard Type

3 x Serial | 1 x LAN | 6 x USB  
1 x Cash Drawer | 1 x HDMI

# Optional Accessories



Wireless LAN



9.7" / 15" Customer Display



Upward\* / Downward Customer Display



MSR / Fingerprint / RFID Reader



Coloured Frame\* / Housing\*



VFD Customer Display

# Features



90 Degree Panel Tilt



Internal Power Supply Cable Management System



Fanless / Screwless

\* Coloured units & upward customer display are by special order only.



## SPECIFICATIONS

	v6POS i55	v6POS i75
PROCESSOR	Intel Core i5-8500T 2.1 GHz (Turbo Boost up to 3.5 GHz)	Intel Core i7-8700T 2.4 GHz (Turbo Boost up to 4.0 GHz)
SYSTEM MEMORY	4 GB DDR4 RAM (up to 64 GB)	4 GB DDR4 RAM (up to 64 GB)
STORAGE DEVICE	M.2 2280 SSD (supports RAID 0/1 for NVMe (PCIe))	

## DISPLAY

SIZE / RESOLUTION	15" TFT LCD (LED backlight) / 1024 x 768 pixels
BRIGHTNESS	350 cd/m <sup>2</sup>
TOUCH SCREEN PANEL	Projected capacitive touch (multi-touch)

## I/O INTERFACE (STANDARD)

USB PORT	6 x USB 2.0   1 x USB 3.0 (front panel)
SERIAL PORT	3 x RJ50
VIDEO PORT	1 x HDMI 1.4
AUDIO PORT	2 x built-in speakers   1 x 3.5 mm Mic-in/Line-out
CASH DRAWER PORT	1 x RJ11 (24 V)
ETHERNET PORT	1 x RJ45 10/100/1000 Mbps (up to 2 x Ethernet ports)

## OPERATING SYSTEM

WINDOWS	10 IoT / 10 Pro
---------	-----------------

## ENVIRONMENT & MECHANICAL SPECIFICATIONS

DIMENSIONS & WEIGHT	366 (W) x 290 (H) x 193 (D) mm   7.8 kg
CHASSIS MATERIAL	Die-cast aluminium
IP RATING	IP54 whole unit
TEMPERATURE	Operating: 0°C to 40°C   Storage: -20°C to 60°C
HUMIDITY	Operating: 0% to 80%   Storage: 10% to 90% (non-condensing)
POWER CONSUMPTION	12 V / 6 A, internal power adapter, 100-240 V, 50/60 Hz

## MODEL OPTIONS

INTEGRATED CARD READERS	3-track MSR, RFID (125 kHz / 13.56 MHz), Fingerprint reader
CUSTOMER DISPLAY	2-line VFD or 9.7" / 15" TFT LCD (optional touch)
WIRELESS LAN	Integrated 802.11 b/g/n/ac + Bluetooth 4.1
COLOURED FRAME	Black (standard)   White/Red/Green/Blue/Purple (special order)
COLOURED UNIT	Black (standard)   Gold/Silver (special order)

ALL PRODUCT SPECIFICATIONS ARE SUBJECT TO CHANGE WITHOUT NOTICE.

### The Senor Building

65 & 67 Weaver Street  
Coopers Plains  
QLD 4108, Australia

[www.senortech.com.au](http://www.senortech.com.au)

P: +61 7 3275 5888  
[sales@senortech.com.au](mailto:sales@senortech.com.au)

**SENIOR**  
TOUCH SCREEN SOLUTIONS

**Quality. Safety. Versatility.**