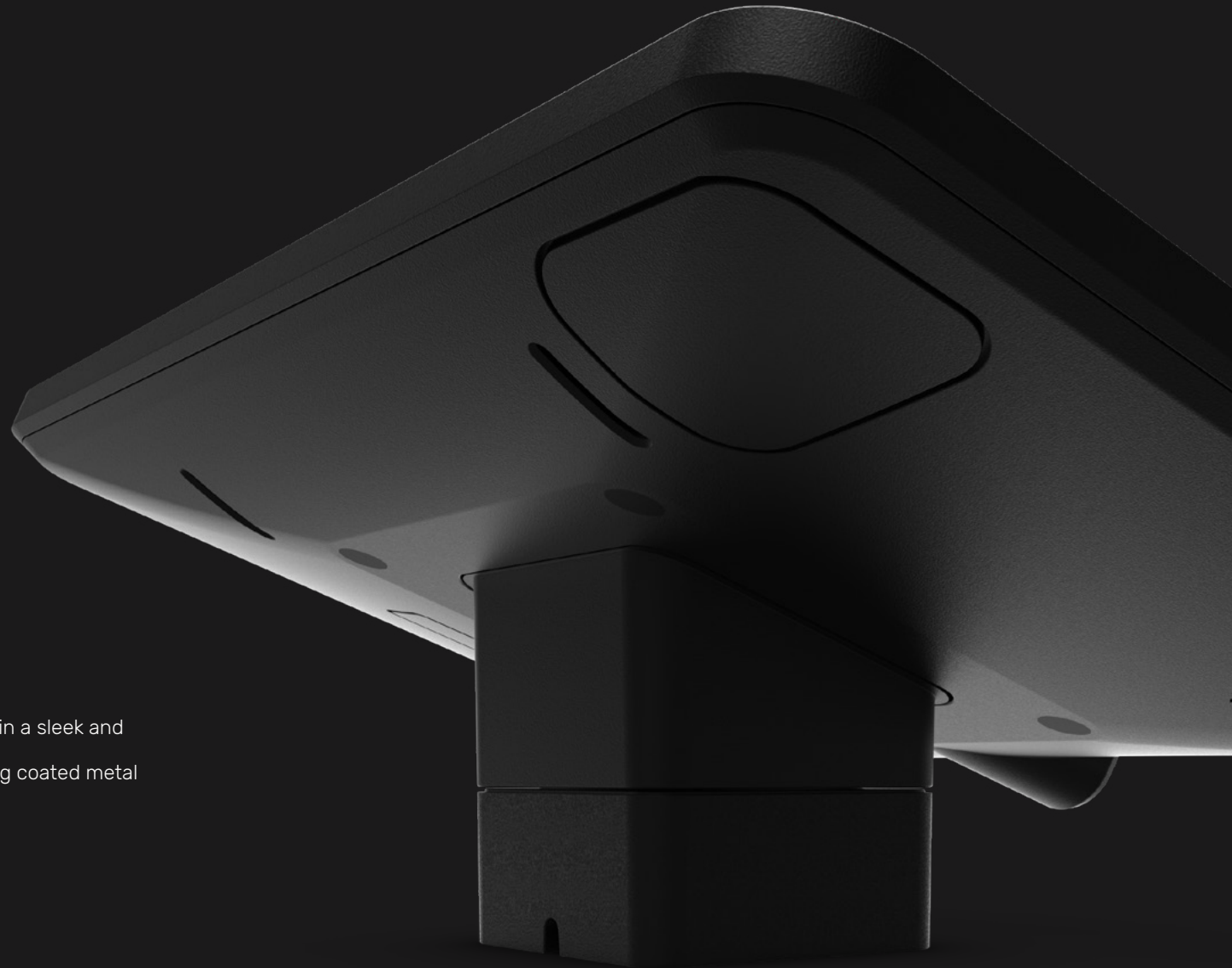


Elite Nexus Tablet Stand

The Elite Nexus offers high security and durability in a sleek and stylish casing. Featuring a 4 point lock and a strong coated metal faceplate to protect your iPad or android tablet.



Contents

4 Point Lock.....	3
Cable Management.....	4
Movement.....	5
Mounting Options.....	6
Desktop & Wall Mountable.....	7
Recommended Positioning	8
Custom Branding Solutions.....	9
Pre-Assembled	10
Supported Tablets	11
Specifications	12

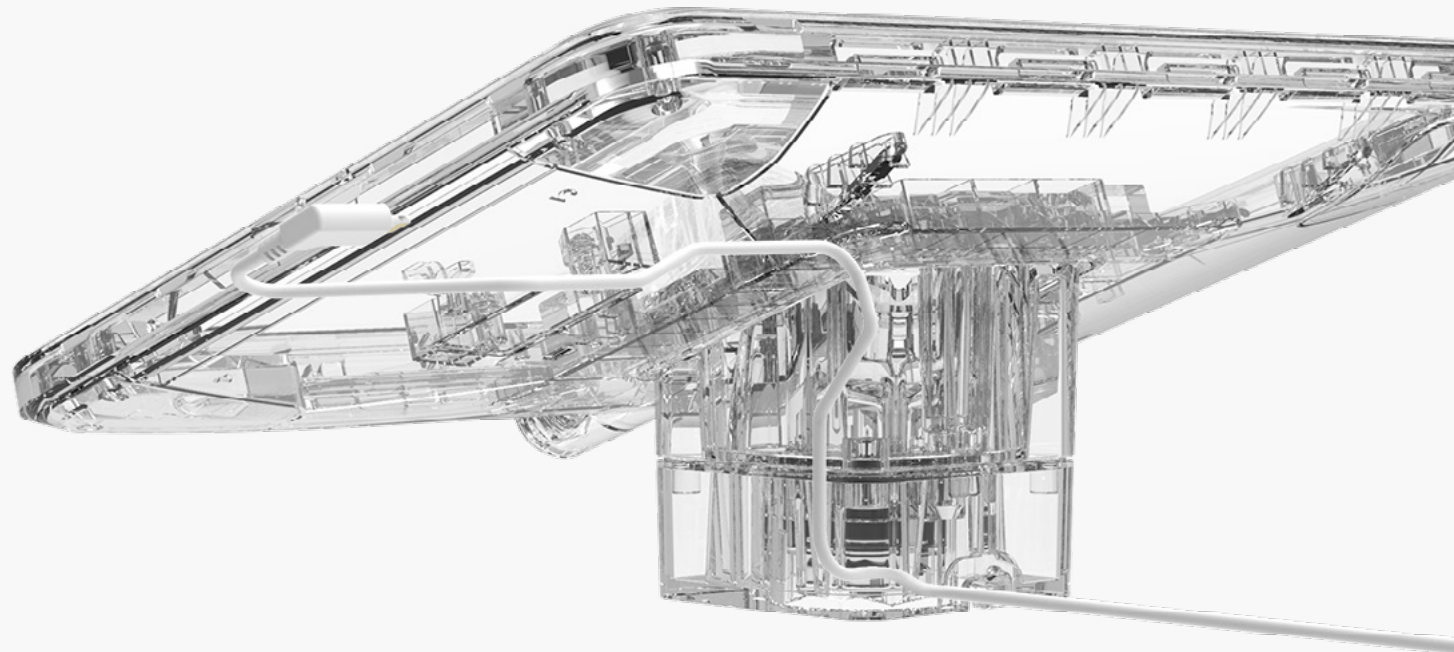


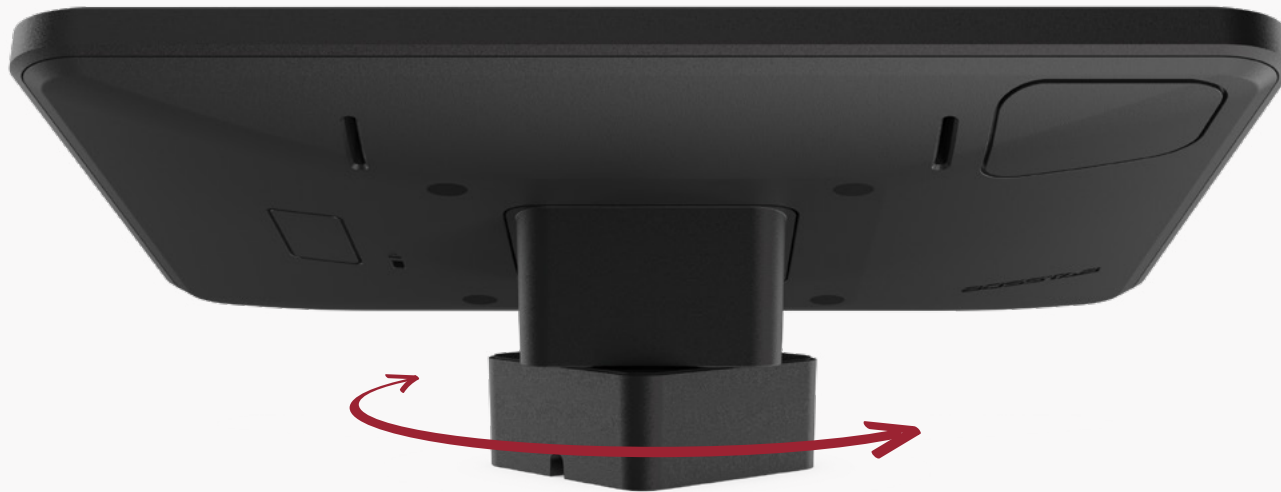
4 Point Lock

The Elite Nexus features a lockable faceplate that secures with a barrel key and four-point lock for ultimate security. As an additional security option, unique key and barrel sets are also available.

Cable Management

Keep your tablet charged with internal cable management in the fully enclosed case. The Elite Nexus tablet stand features two cable management options including the ability to discreetly run your cable from the device through the Elite case and Nexus base, or alternatively, run the cable directly through the included cut out in the case's rear.





180° Swivel Movement

The Nexus stand includes a 180 degree swivel, which is perfect for customer facing Point Of Sale (POS) and kiosk stands. This stand also features a unique magnetic hold at each swivel point to keep your tablet in position. For a fixed option, a position lock is available to disable swivel movement.



Freestanding

Included



Screw Mount

Included



Adhesive Mount

Included



**Heavy Duty
Freestanding Base**

Sold Separately



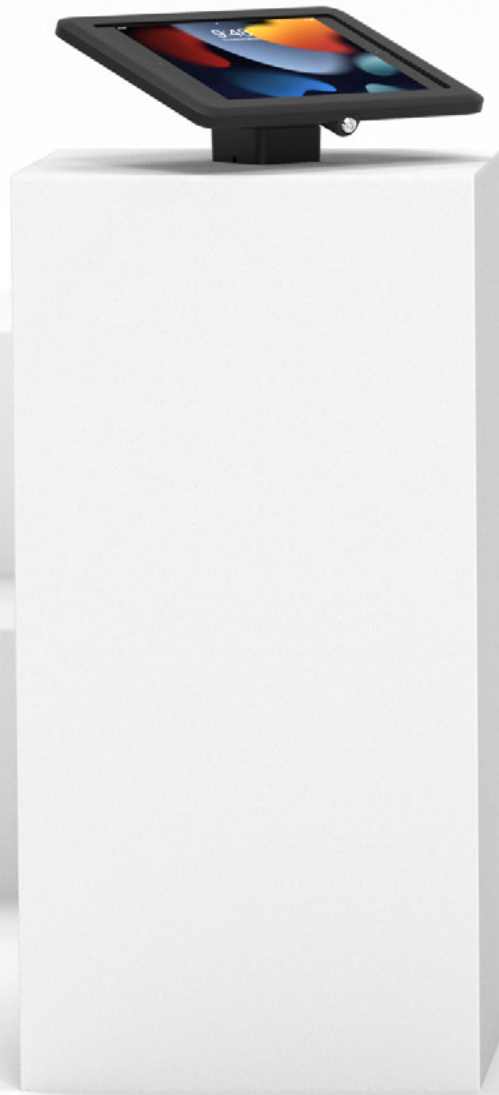
Desktop Mount

Screw Mount, Adhesive & Freestanding options.



Wall Mount

Screw Mount only.



Recommended counter height for the Elite Nexus

29.53" - 35.43" (75 - 90 cm)

Perfect for customer facing Point Of Sale (POS) and kiosk stands.

Custom Branding Solutions

Add your logo on the Elite Nexus with a silk-screen finish on our powder coated molded metal bases or on the front facing display.



Pre-Assembled

Want an easy installation process without having to worry about parts, screws and lengthy assembly guides? We thought so. All products (with the exception of the Floor Stand) arrive fully pre-assembled for trouble-free large scale roll outs.



Supported Tablets

The Elite case currently supports the following tablet models with a future android and iPad models currently in development.

Supported Tablets:

iPad 10.2 7th, 8th & 9th Generation

iPad Pro 9.7

iPad Air 2nd Generation

Galaxy Tab A7 10.4

Galaxy Tab S7 11



IPAD 10.2 (7TH, 8TH & 9TH GEN)



IPAD PRO 9.7



IPAD AIR 2ND GEN

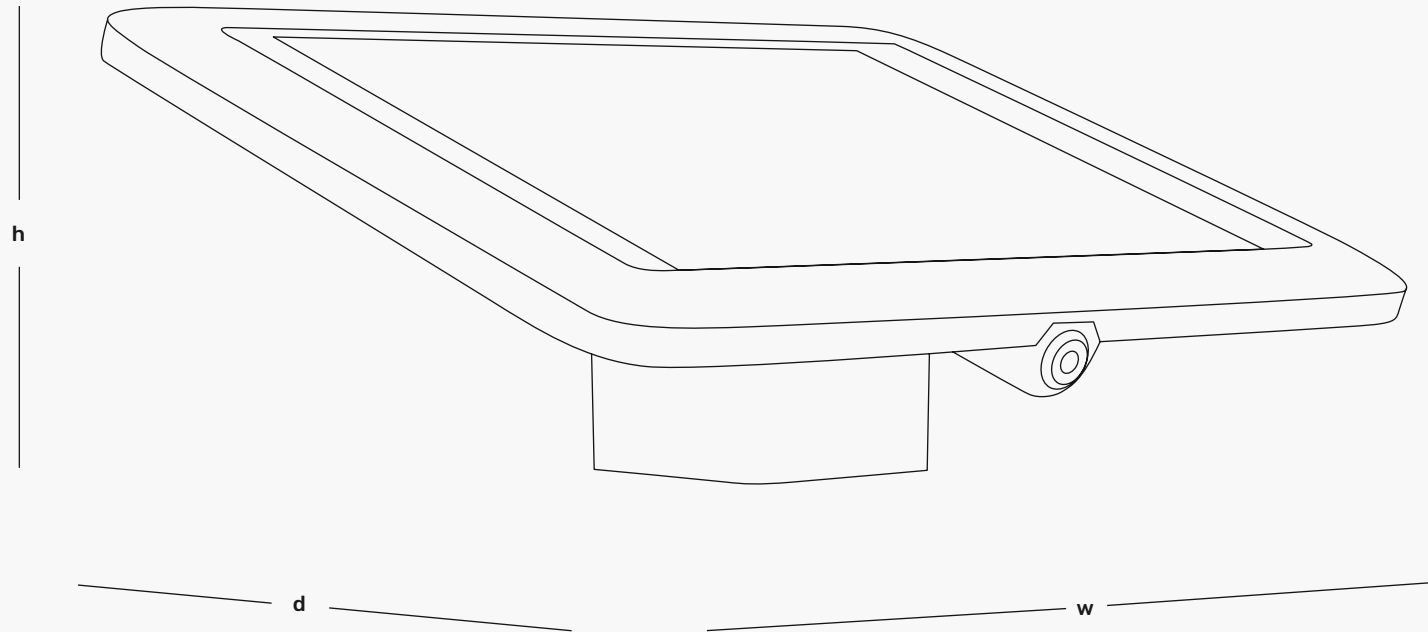


GALAXY TAB A7 10.4



GALAXY TAB S7 11

Can't find your tablet model above? Contact us to find a solution for you.



w - 11.81" (300mm)

d - 7.87" (200mm)

h - 4.64" (118mm)