

UR20 Series specifications

Model	(RS-232C/USB model) UR21-MR-01*	(Ethernet/USB model) UR22-MR-01**
RFID	Readable and writable RF tag: ISO/IEC18000-63 TypeC (EPCglobal Class1 Gen2) -supported Tag Frequency: 865.7-867.5 MHz Channel width/number of channels: 600 kHz/4 ch Transmission output: 500 mW ERP Modulation method: PR-ASK Transmission rate: 40 kbps Scanning distance*2: 0-800 mm (Avery Dennison AD-229r6) / 0-2500 mm (Avery Dennison AD-229r6) Output adjustment: 5-23 dBm	
LED indication function	PW: power supply (green), COM (red), ANT1 (orange), ANT2 (orange) 4 total	
Interface	RS-232C (D-SUB 9P), USB (mini USB B Type)	LAN (RJ45), USB (mini USB B Type)
Power	Power supply: AC adapter (100 V) Current consumption: 1300 mA MAX (excluding inrush current)	
Operating temperature	0-40°C	-5-50°C
Structure	Dimensions: Controller: 90 × 108.5 × 31 mm, Antenna: 200 × 200 × 17.5 mm Weight: Controller: Approx.130 g, Antenna: Approx.360 g / Controller: Approx.130 g, Antenna: Approx.400 g	
Components	Controller: 1 (including a rear cover and screws for securing the rear cover) Antenna: 1 (with VESA-compliant screw holes) Antenna cable: Double-end RF connector (GT27) cable (2000 mm long) Antenna securing screws: 4	

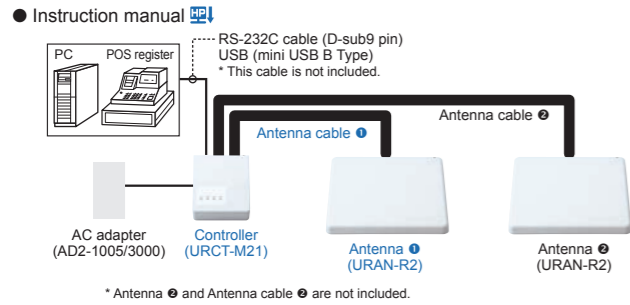
*1: Do not connect an antenna, a controller or a cable that is not specified by Denso Wave.
 *2: Network range may vary according to target tag. Network range is a reference value and this may vary accordingly, depending on the actual environmental conditions.

The set includes

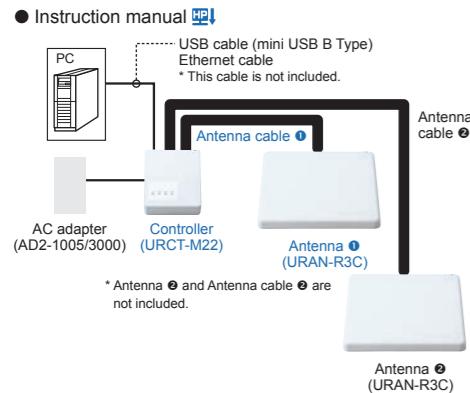
- | | |
|---|--|
| [UR21-MR-01]
● Controller (URCT-M21)
● Antenna (URAN-R2)
● Antenna cable (between antenna and controller)
● Rear cover (lock nuts included in package)
● Safety Precautions
● Screws for securing the antenna | [UR22-MR-01]
● Controller (URCT-M22)
● Antenna (URAN-R3C)
● Antenna cable (between antenna and controller)
● Rear cover (lock nuts included in package)
● Safety Precautions
● Screws for securing the antenna |
|---|--|

System configuration

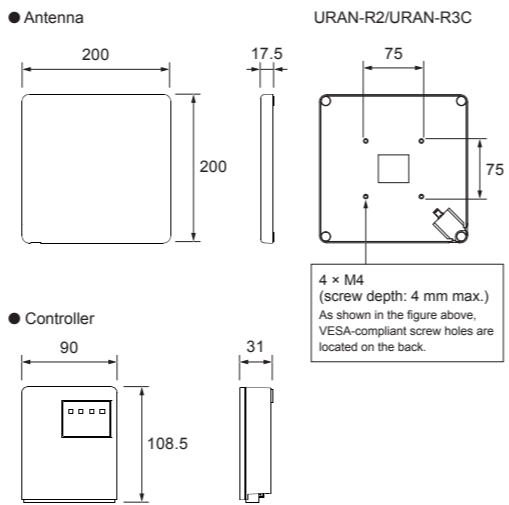
UR21 Items that are included in the set are indicated in blue.



UR22 Items that are included in the set are indicated in blue.



Dimensions Unit: mm (for reference only)



* For dimensions of the antenna fixture (B-URANR1-01), please visit our website.

Options (Sold separately)

- Antenna fixture (B-URANR1-01)
 - Antenna (URAN-R2)*1
 - Antenna (URAN-R3C)*2
 - Antenna cable (CBAN-CGT272000/GT27-01)
 - AC adapter
- *1: Only for UR21
 *2: Only for UR22

Software (Sold separately)

- OPOS Driver (POS Connection/Windows Version)
 - Control Command DLL File [HP](#)
- [HP](#) This file can be downloaded for free from QB Direct on our Website.



Ultra-thin stationary scanner that can be installed anywhere



For more information, please visit our website
<http://www.denso-wave.com/en/adcd/>



*Appearance and specifications are subject to change without prior notice. *Description stated in this catalogue is as of December, 2016.

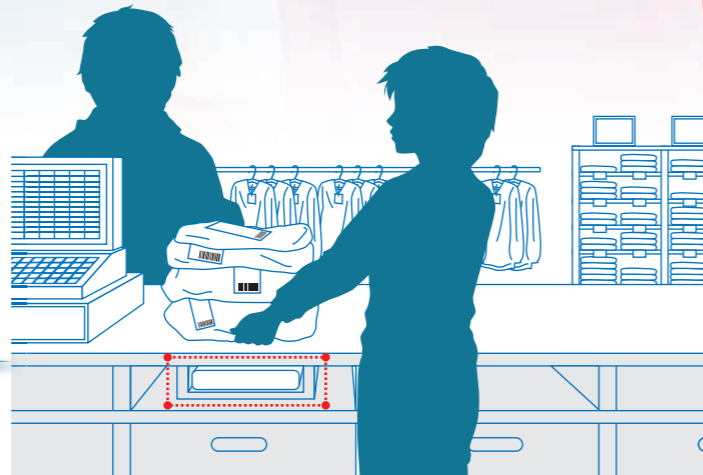
Long Life Offers good products for a long time. DENSO WAVE supplies products stably for a long time. DENSO WAVE promises to continue maintenance service for 5 years after product's sales end.

GLOBAL PRODUCTS

1 YEAR WARRANTY

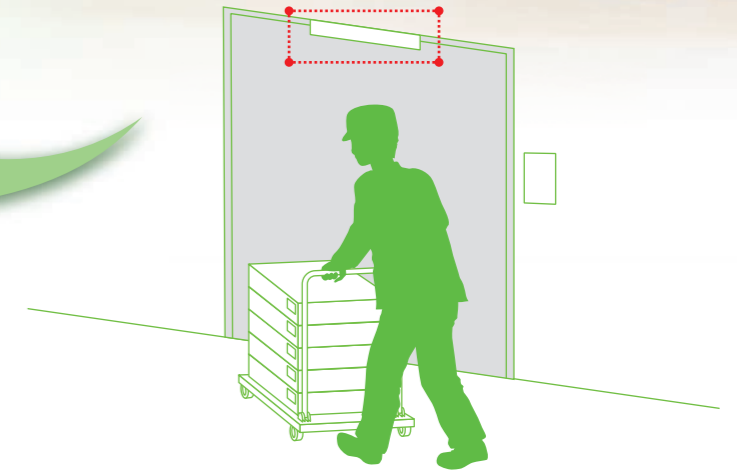
To eliminate checkout queues

No need to manually read RF tags one after another. Checkout procedure can be completed quickly by just scanning products on the counter.



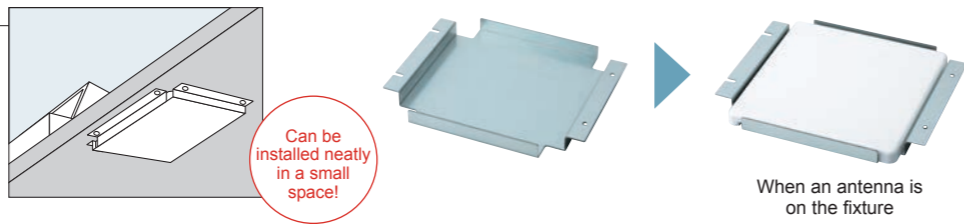
To eliminate the time for reading at the time of storage and retrieval

No need to manually read RF tags. Information on tags can be collected when they go through the storage/retrieval gate.



Can be additionally installed on an existing register

The combination of a small controller and a thin antenna eliminates problems in finding an installation location. A dedicated antenna fixture, which is useful in installing the antenna, is also offered.

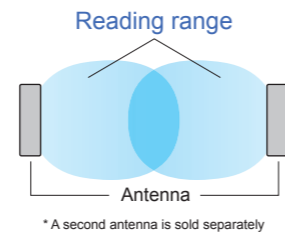


No need to worry about reading products on adjacent checkout counters

The communication range is approximately 80 cm, which is ideal for the environment for POS registers. To prevent reading RF tags of products on adjacent checkout counters, the communication range can be adjusted arbitrarily according to the use environment.

By using two antennas, the reading area can be expanded

Two antennas can be connected to one controller, covering a wider range and expanding customer use range.



Connection to POS register becomes easier

For users to use table scanners from a POS application in the same manner as barcode scanners, an OPOS driver*, which helps users connect a table scanner with a POS register, is also available.

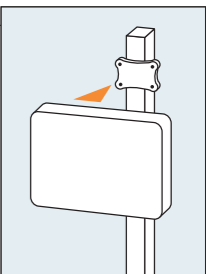
* For Windows only

Ideal for installation at a storage/retrieval gate

The communication range is approximately 2.5 meters. With this long-distance reading capability, even when the scanner is installed at the upper part of a gate, it can smoothly read even RF tags that are attached to cargo at workers' feet. Furthermore, a circular polarized antenna enables 360-degree reading of RF tags, so users do not have to care about directions of RF tags. The communication range can be changed freely, enabling adjustment of the range according to the use environment.

Can be retrofitted anywhere

The combination of a small controller and a thin antenna eliminates problems in finding an installation location. VESA-compliant screw holes and supplied screws for securing the antenna make it easy to install this product on a VESA-compliant fixed stand.



Several devices can be controlled by a single PC

By using an Ethernet interface, several devices can be controlled by a single PC. Furthermore, an Ethernet interface can connect a PC and devices even if they are distanced from each other.

