

## DATA SHEET

# KIO320P-SLIM KIOSK

Introducing our next generation in commercial kiosks. The clever design of our new 32" slim portrait kiosk will draw your customers in with its incredible form factor and floating screen design. New to our extensive range of kiosks, the KIO320P-SLIM is perfect for so many applications including wayfinding, endless aisle, self-order, self-payment and much more.

The visually appealing slimline design with soft corners, angular design and edge-to-edge glass make it suitable for showrooms, retail stores and other environments requiring an elegant solution. The solid steel construction, commercial components and toughened glass make it also suitable for harsher, high-traffic environments or other locations that require a rugged solution.



### KIOSK FEATURES

- Australian designed, manufactured & supported
- Robust steel construction, durable powder-coated finish
- Free-standing design with option to bolt down base plate
- Power & data feed from wall or floor through the base plate
- Cooled with a multi-speed fan and louvers
- Key lockable access door, tamper resistant design
- Internal PC shelf (PC sold separately or supply your own)
- 3 year RTB warranty included

### DISPLAY FEATURES

- 32" slim bezel commercial-grade touch screen
- 10-point PCAP multi-touch technology
- Full HD 1080 x 1920 x (9:16 widescreen) resolution
- High clarity display with protective toughened glass
- Windows 10 compatible, driver free, plug-and-play
- Supports multi-touch gestures including pan, pinch & zoom



AUSTRALIAN MADE



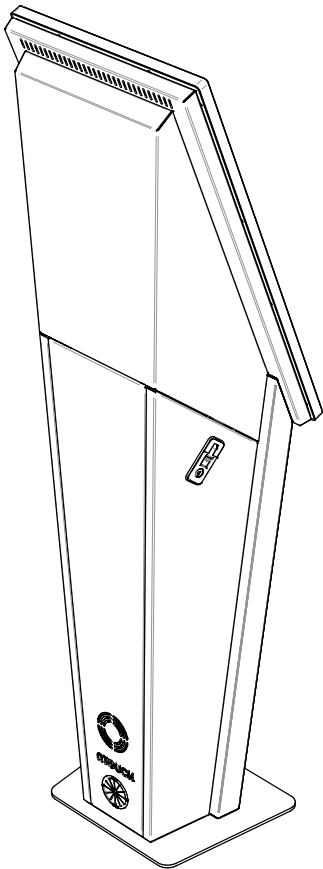
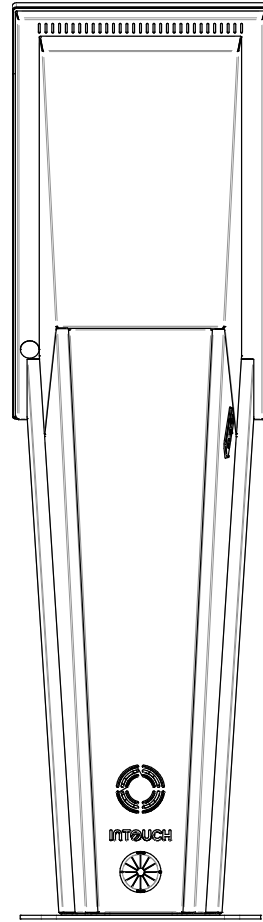
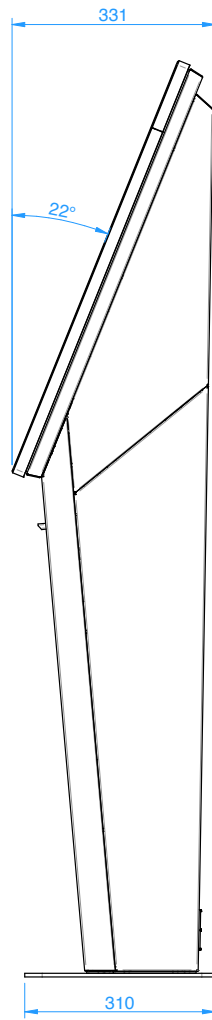
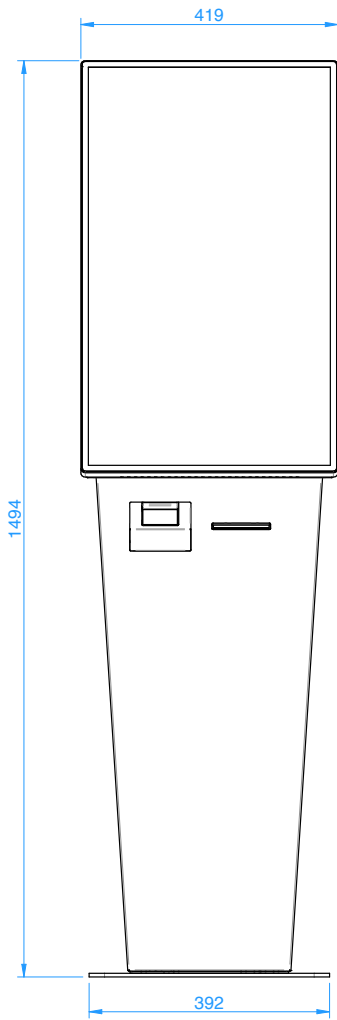
3-YEAR WARRANTY



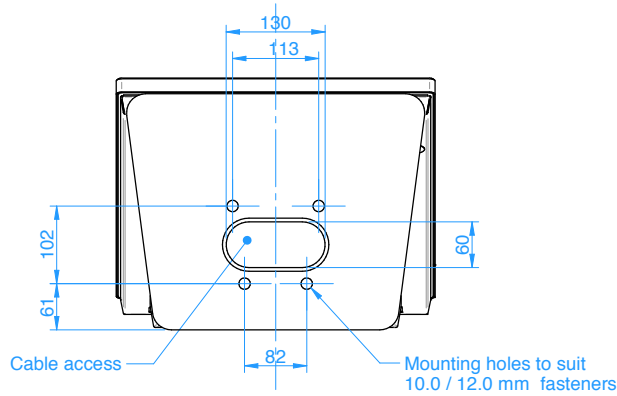
10 POINT MULTI-TOUCH



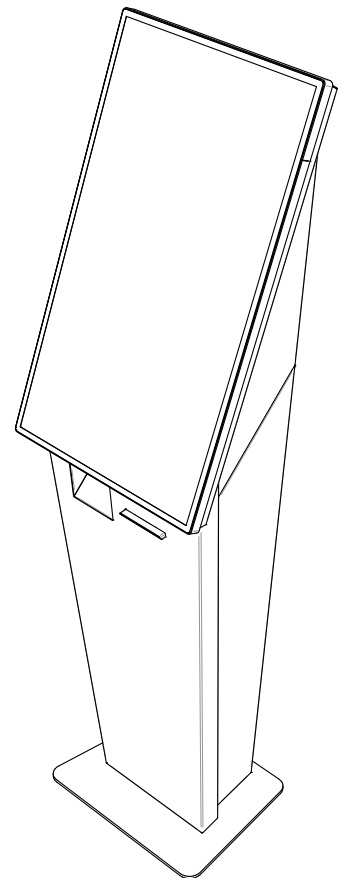
EASY SET UP



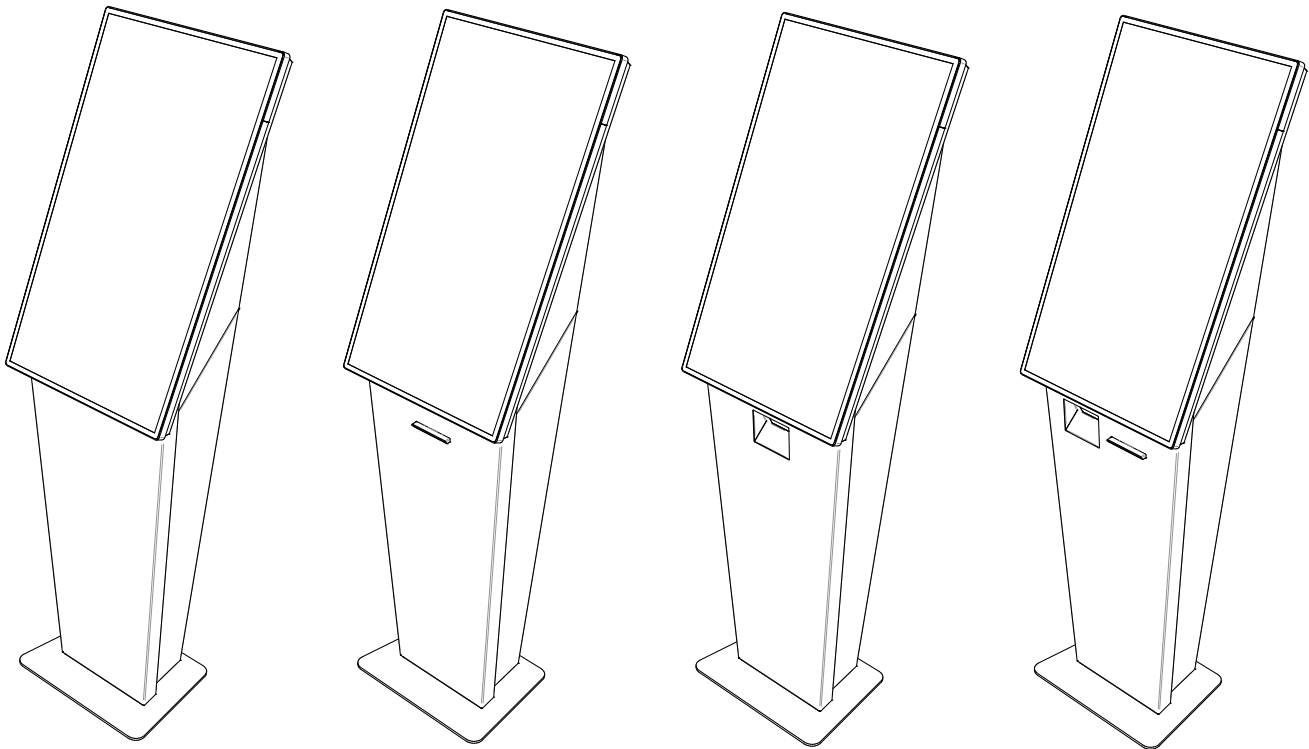
BASE PLATE DIMENSIONS



ILLUSTRATED WITH OPTIONAL  
PRINTER & BARCODE SCANNER



# Interchangeable Front Fascia



Standard

Industrial Thermal  
Receipt Printer

2D Barcode & QR  
Code Scanner

Combined Fascia

## Kiosk Options

- Custom logo & branding
- Thermal receipt printer
- Magnetic card reader
- QR/Barcode scanner
- EFTPOS Payment terminal bracket
- Fixed & adjustable camera mounting options
- Four front panel options: Plain, printer only, scanner only and printer and scanner openings
- Interchangeable black and white front fascias

## Technical Specifications

- 1080 x 1920 Full HD resolution
- 32" active viewable area
- 9:16 aspect ratio
- 430 cd/m2 brightness
- 800:1 contrast ratio
- 10-point PCAP multi-touch
- HDMI & DisplayPort input
- USB touch interface
- Built-in stereo speakers
- Energy efficient LED technology
- 50kg weight (Total kiosk weight)
- Compatible with Windows 10



Our interactive kiosks are available in sizes from 19" - 42" to suit any application and available installation space.

## InTouch Screens

Unit 1, 3 Green Street, Brookvale NSW 2100

1300 557 219

[InTouchScreens.com.au](http://InTouchScreens.com.au) | [Sales@intouchscreens.com.au](mailto:Sales@intouchscreens.com.au)

# INTOUCH