

Elite Evo Tablet Stand

The Elite tablet stand offers high security and durability in a sleek and stylish casing. Featuring a 4 point lock and a strong coated metal faceplate to protect your iPad or android tablet.



Contents

4 Point Lock.....	3
Cable Management.....	4
Pole Options.....	5
Movement.....	6
Base Options.....	7
Wall Mountable.....	8
Case Accessories.....	9
Recommended Positioning.....	10
Custom Branding Solutions.....	11
Pre-Assembled.....	12
Supported Tablets.....	13
Specifications.....	14

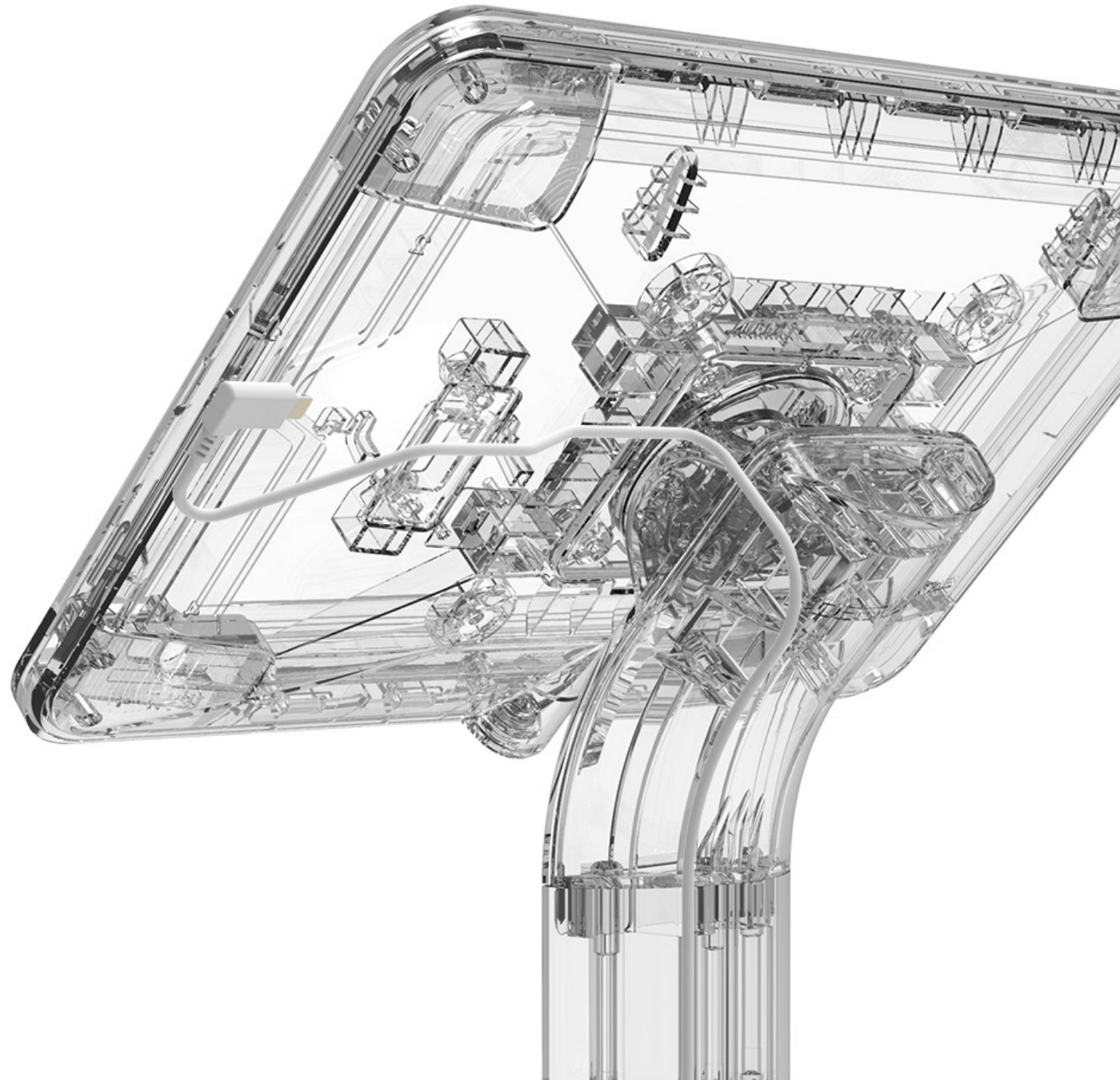


4 Point Lock

The Elite tablet enclosure features a lockable faceplate that secures with a barrel key and four-point lock for ultimate security. As an additional security option, unique key and barrel sets are also available. The Elite tablet stand is ideal for high-traffic areas or any commercial or educational environment where additional layers of security may be required for your device.

Cable Management

Keep your tablet charged with internal cable management in the fully enclosed case. The Elite Evo tablet stand features two cable management options including the ability to discreetly run your cable from the device through the Elite case and Evo pole, or alternatively, run the cable directly through the included cut out in the case's rear.





Evo Pole
Fixed 45* angle



Evo X Pole
Tilt and Rotation movement



40° Tilt



90° Rotation

Evo X Movement

Evo X Pole Only

The Evo X pole rotates between portrait and landscape and also features a 40-degree tilt for a functional and ergonomic design. This stand also features a position lock on both tilt and rotate movements for a fixed option.



Screw Mount



Freestanding



Wall Mountable

Screw Mount base only

The Evo Screw Mount base is also wall mountable. With cable management options to run through the wall or alternatively out the base to feed down the wall.



Cable Cut Out



Cable Lock Port



Camera Cut Out



Recommended
counter height for
the Elite Evo

29.53" - 43.31" (75 - 110 cms)

Custom Branding Solutions

Add your logo on the Elite Evo with a silk-screen finish on our powder coated molded metal bases or on the front facing display.



Pre-Assembled

Want an easy installation process without having to worry about parts, screws and lengthy assembly guides? We thought so. All products (with the exception of the Floor Stand) arrive fully pre-assembled for trouble-free large scale roll outs.



Supported Tablets

The Elite case currently supports the following tablet models with a future android and iPad models currently in development.

Supported Tablets:

iPad 10.2 7th, 8th & 9th Generation

iPad Pro 9.7

iPad Air 2nd Generation

Galaxy Tab A7 10.4

Galaxy Tab S7 11



IPAD 10.2 (7TH, 8TH & 9TH GEN)



IPAD PRO 9.7



IPAD AIR 2ND GEN



GALAXY TAB A7 10.4



GALAXY TAB S7 11

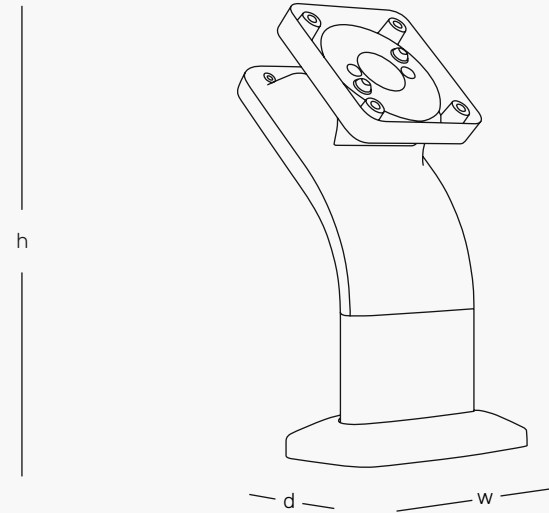
Can't find your tablet model above? Contact us to find a solution for you.



w - 11.69" (297mm)

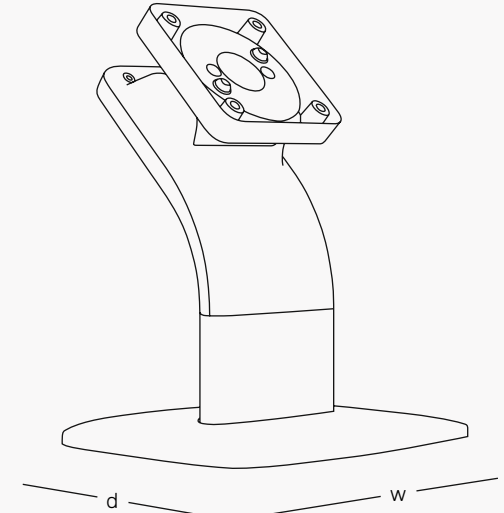
h (total) - 11.42" (290mm)

h (case) - 8.27" (210mm)



w - 4.25" (108mm)

d - 2.95" (75mm)



w - 6.30" (160mm)

d - 5.83" (148mm)